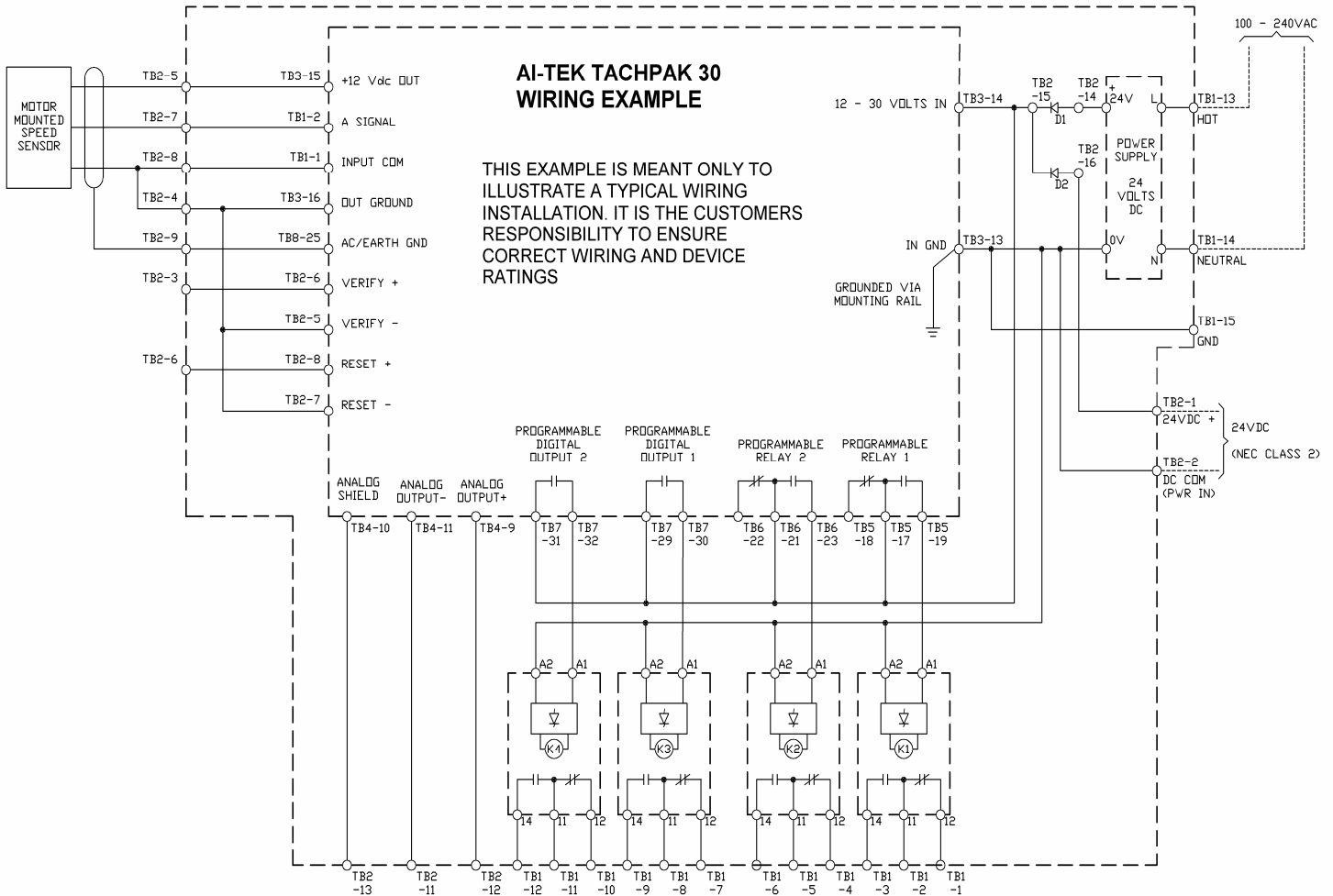




Typical Wiring Example For TACHPAK30®

BRC 3/1/11

Use the schematic below as an example of a typical TACHPAK30 installation. Terminal block designations not related to the tachometer are for example only. Example wiring is also provided for addition of external mechanical relays.



K1 – K4 external relays:
Phoenix Contact PLC-RSC-24DC/21