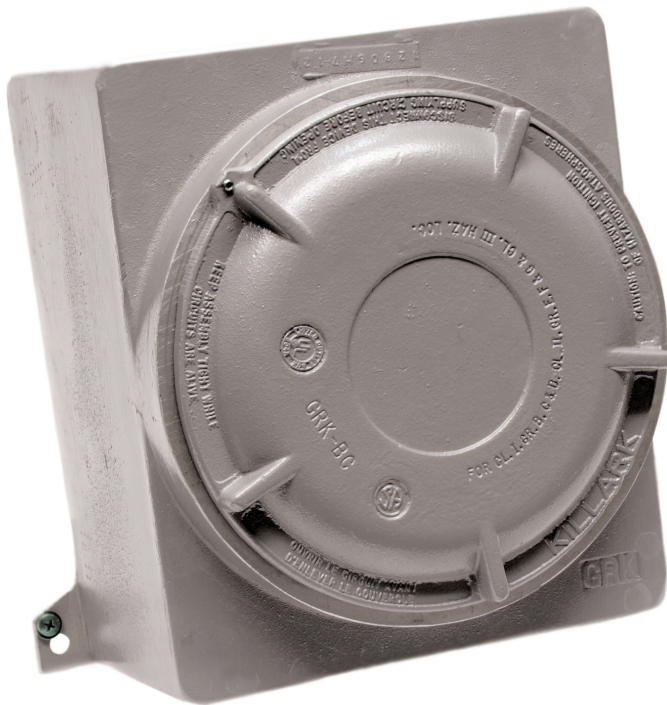
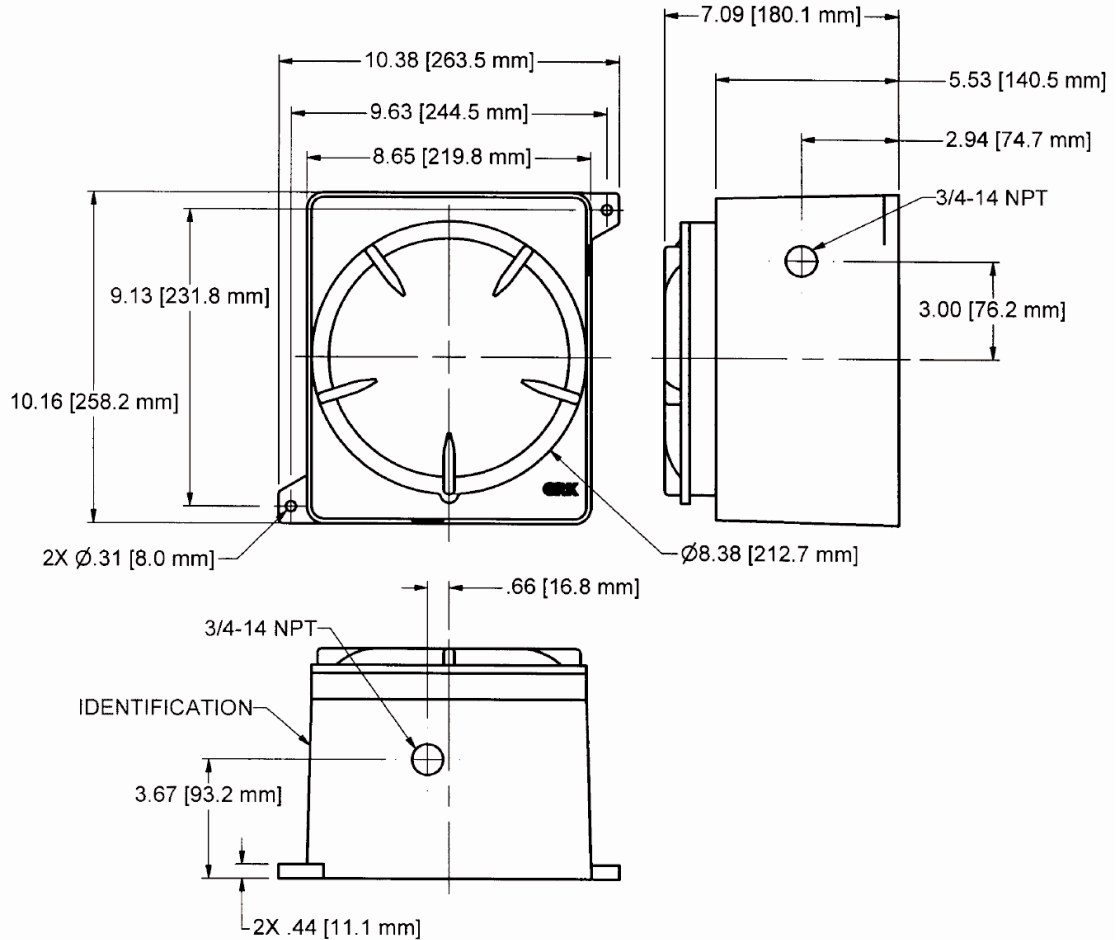


# TACHPAK Enclosure Options

## T77510-70 / T77530-70



### EXPLOSION PROOF

UL/CSA for hazardous locations

Class I, Groups B, C & D;

Class II, Groups E, F & G

Class III

also

Class I, Zone 1, Groups IIB + H<sub>2</sub>, IIA

ATEX

0102 Ex II 2 G EEx d IIC

For use in Zone 1,

Group IIC, Category 2 G,

IP66 hazardous locations

Certifications Inside Enclosure  
(Consult Factory for Latest Update)